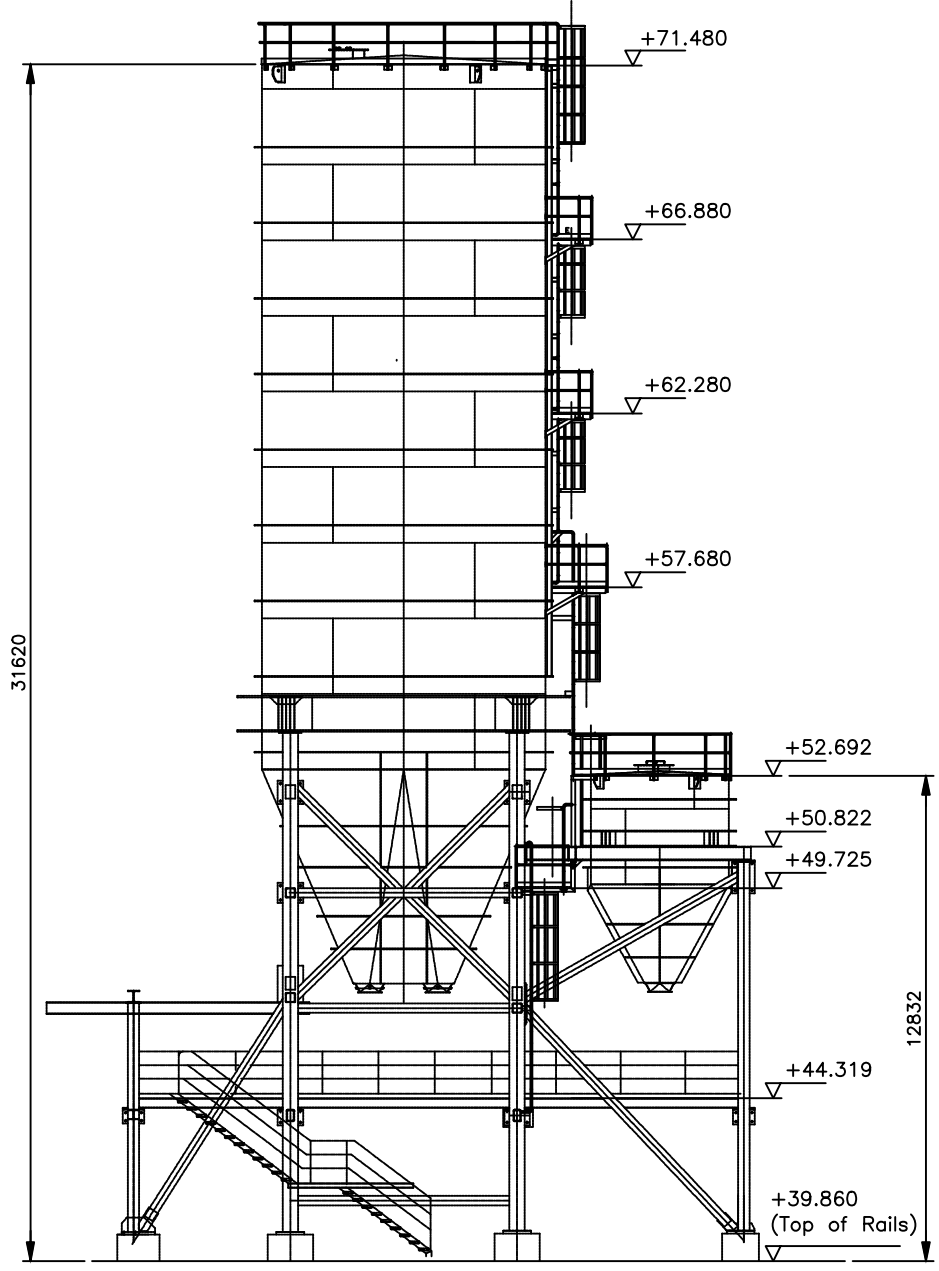
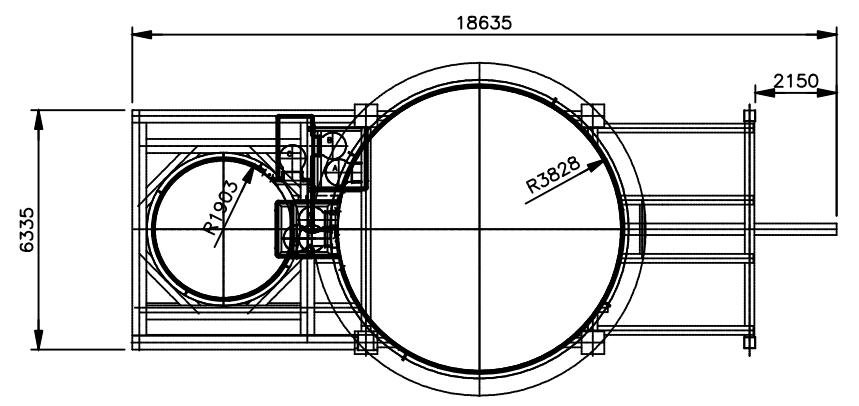


**SOUTH ELEVATION**  
SCALE 1:200



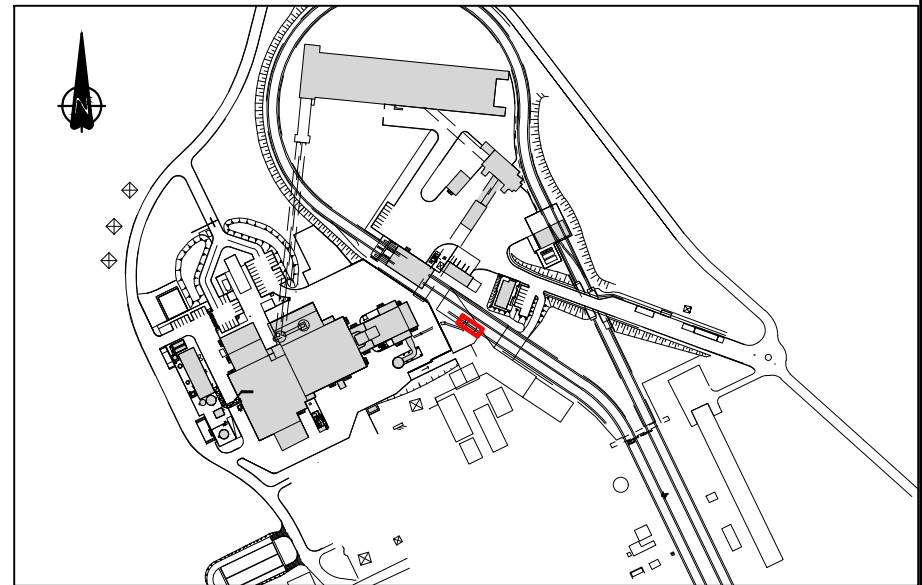
**NORTH ELEVATION**  
SCALE 1:200



**PLAN**  
SCALE 1:200



**KEY PLAN:**



| Rev | Date     | Revision description | Drn. | Ver. | App. | Ver. | App. |
|-----|----------|----------------------|------|------|------|------|------|
| 0   | 18.10.18 | ISSUED FOR PLANNING  | KMcG | HOK  | PK   | PN   | BH   |

**Purpose of issue - Preliminary unless indicated**

Client Approval  Planning  Tender  Construction  As-Built

**ESB INTERNATIONAL**

One Dublin Airport Central,  
Dublin Airport, Cloughran, Co. Dublin

Tel: 353 1 703 8000 Email: [marketing@esbi.ie](mailto:marketing@esbi.ie)  
Web: [www.esbinternational.ie](http://www.esbinternational.ie)

ESB International is a trading name of  
ESBI Engineering & Facility Management Ltd.

Registered Office: as above  
Registered in Ireland No. 155249

**Client** ESB

**Project** WEST OFFALY POWER  
TRANSITION TO BIOMASS

**Engineer Design**

**BORD NA MÓNA**  
Naturally Driven  
Engineering Department,  
Leabeg, Tullamore, Co. Offaly Tel: 057 9345900

**Contract** WOP - TRANSITION TO BIOMASS

**Drawing title** EXISTING BOTTOM ASH SILO  
PLAN & ELEVATIONS

**Production unit** Civil & Environmental Engineering

COPYRIGHT © ESB INTERNATIONAL LIMITED  
ALL RIGHTS RESERVED. NO PART OF THIS WORK MAY BE MODIFIED, REPRODUCED OR COPIED IN ANY FORM OR BY ANY MEANS  
GRAPHIC, ELECTRONIC OR MECHANICAL, INCLUDING PHOTOCOPYING, RECORDING, TAPING OR USED FOR ANY PURPOSE  
OTHER THAN ITS DESIGNATED PURPOSE, WITHOUT THE WRITTEN PERMISSION OF ESB INTERNATIONAL

| Produced    | Verified      | Approved | Approval date |
|-------------|---------------|----------|---------------|
| KMcG        | HOK           | PK       | 18.10.18      |
| Client ref. | No. of sheets | Size     | Scale         |
|             | 1             | A3       | 1:200         |

**Drawing number** QS-000206-01-D460-080

SHEET REV